

ALURES[®]

USER'S MANUAL

YUNO-K215-BLACK | ART-03558

Rev.G

FCC Notice



This equipment has been tested and found to comply with the limits for a Class A digital device, pursuant to Part 15 of the Federal Communications Commission (FCC) Rules. These limits are designed to provide reasonable protection against harmful interference in a residential installation. This equipment generates, uses, and can radiate radio frequency energy and, if not installed and used in accordance with the instructions, may cause harmful interference to radio communications. However, there is no guarantee that interference will not occur in a particular installation. If this equipment does cause harmful interference to radio or television reception, which can be determined by turning the equipment off and on, the user is encouraged to try to correct the interference by one or more of the following measures:

- Increase the separation between the equipment and the receiver.
- Connect the equipment into an outlet on a circuit different from that to which the receiver is connected.
- Consult the dealer or an experienced radio or television technician for help.

NOTE: THE MANUFACTURER IS NOT RESPONSIBLE FOR ANY RADIO OR TV INTERFERENCE CAUSED BY UNAUTHORIZED MODIFICATIONS TO THIS DEVICE. SUCH MODIFICATIONS COULD VOID THE USER'S AUTHORITY TO OPERATE THE DEVICE.

CE Notice



This device complies with EMC Directive 2004/108/EC and 2006/95/EC "Low Voltage Directive" issued by the Commission of the European Community.

WEEE Notice



The WEEE mark applies only to countries within the European Union (EU) and Norway.

This appliance is labeled in accordance with European Directive 2002/96/EC concerning waste electrical and electronic equipment (WEEE). The Directive determines the framework for the return and recycling of used appliances as applicable throughout the European Union. This label is applied to various products to indicate that the product is not to be thrown away, but rather reclaimed upon end of life per this Directive.

Safety

IMPORTANT SAFETY INSTRUCTIONS

To disconnect the machine from the electrical Power Supply, turn off the power switch and remove the power cable plug from the wall socket. The wall socket must be easily accessible and in close proximity to the machine.

Read these instructions carefully. Save these instructions for future reference.

Follow all warnings and instructions marked on the product.
Do not use this product near water.

Do not place this product on an unstable cart, stand, or table. The product may fall, causing serious damage to the product. Slots and openings in the cabinet and the back or bottom are provided for ventilation; to ensure reliable operation of the product and to protect it from overheating. These openings must not be blocked or covered. The openings should never be blocked by placing the product on a bed, sofa, rug, or other similar surface.

This product should never be placed near or over a radiator or heat register, or in a built-in installation unless proper ventilation is provided. This product should be operated from the type of power indicated on the marking label. If you are not sure of the type of power available, consult your dealer or local power company.

Do not allow anything to rest on the power cord. Do not locate this product where persons will walk on the cord. Never push objects of any kind into this product through cabinet slots as they may touch dangerous voltage points or short out parts that could result in a fire or electric shock. Never spill liquid of any kind on the product.

CAUTION: Risk of Explosion if Battery is replaced by an Incorrect Type.
Dispose of Used Batteries According to the Instructions.

The equipment rear side PC module only for qualified service person touch, and installation and maintenance only for qualified service person.


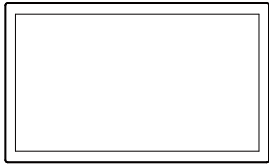
 **Warning – If using Class I adapter, power cord should be connected to a socket-outlet with earthing connection.**

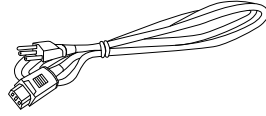
Table of Contents

Package Overview	2
Product Overview	3
Specification	4
How to start the module.....	6
How to Install YUNO board to YUNO-K215-BLACK	7
How to Install or Remove the Mylar.....	7
Product Dimensions	8
Appendix A: Driver Install	8

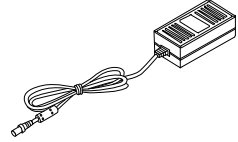
Package Overview



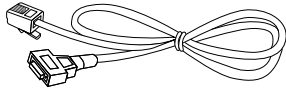
YUNO-K215-BLACK



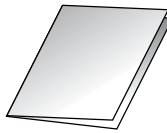
Power Cord



DC Power Supply



RJ-50 to DB-9M Cable



User Manual



Foam Tape



Mylar x 8



Thermal Pad

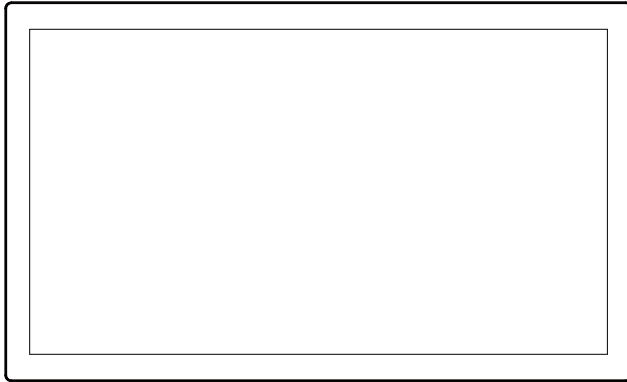


Screw

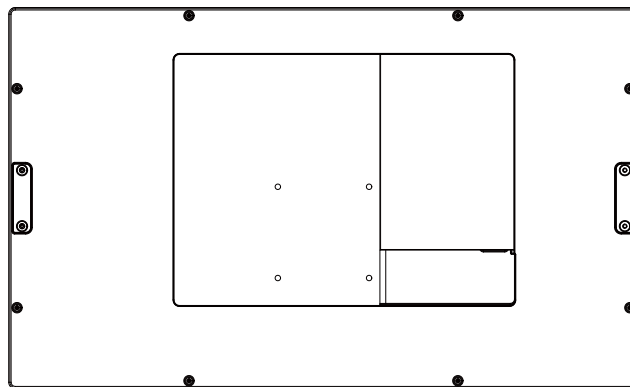
Product Overview

YUNO-K215-BLACK is an 22 inch touch display module designed for point of sale and kiosk applications. The product is a modular design for easy maintenance.

- **Front View**



- **Back View**



Specification

Model Name	YUNO-K215-BLACK
CPU support	Intel® Core™ i3-7100U Processor(3M Cache, 2.40 GHz) Intel® Core™ i5-7300U Processor(3M Cache, 3.50 GHz) Intel® Celeron 3965U(2 MB cache; 2,20 GHz)
System Memory	8GB
BIOS	Phoenix uEFI BIOS
LCD Panel	
LCD Size	21.5" (AUO T215HVN01.1)
Brightness	250 cd/m ²
Maximal resolution	1920 x 1080
Aspect Ratio	16:9
Backlight Type	LED
LED Life Time	30,000 Hours (min.)
Touch Sensor	
P-CAP Touch	
Touch Screen	10 points
Controller IC	ILITEK2521
Interface	USB
Storage	
1st SSD	128GB
2nd SSD	1 x SSD.M2 slot
Advanced Technologies	
Intel® vPro™	i5-7300U (Only)
TPM2.0	Yes
Side I/O	
Power button	1 x with Power indicator (Blue color when power ON)
USB	2 x USB 3.0
Rear Bottom I/O	
DC-IN jack	1 x Radio jack connector for 19VDC input
Audio jack	1 x 4-conductor 3.5mm audio jack for MIC-in and Line-out
Serial / COM	1 x RJ50 connector with RJ50 to DB9 cable for RS-232 port
	COM1/COM2: RS232, wake on ring (S1, S3, S4, S5) support
	COM3/COM4: RS232, powered COM with BIOS select none (Default setting)/ +5V (Default) / +12V for DB9 pin9 by BIOS setting.
LAN	1 x RJ45 port for Gigabit Ethernet, support Wake on LAN
USB	4 x USB 2.0
Cash Drawer	1 x RJ12, Support 12V/24V DC Cash Drawer
Display Port	1 x mini Display Port (supporting active converter cable to VGA, DVI, HDMI)

Power	
Power Adapter	External 19V / 4.74A 90Watt Adapter
Communication	
Wireless LAN	2.4/5 GHz, 802.11ac, a/b/g, n Wi-Fi Bluetooth Module (YUNO-WBM option)
Certifications	
EMI	FCC Class A / CE / LVD
Environment	
Operating Temperature	0-35°C (32°F-95°F)
Storage Temperature	-20°C-60°C (-4°F-140°F)
Humidity	5%-80% non-condensing
Dimension (W x D x H)	LCD 0 degree : 517.44 x 54.08 x 313.31mm
Weight (N.W./G.W.)	5.75kg / 7.73kg
OS support	Windows® 10 IoT Enterprise

* This specification is subject to change without prior notice.

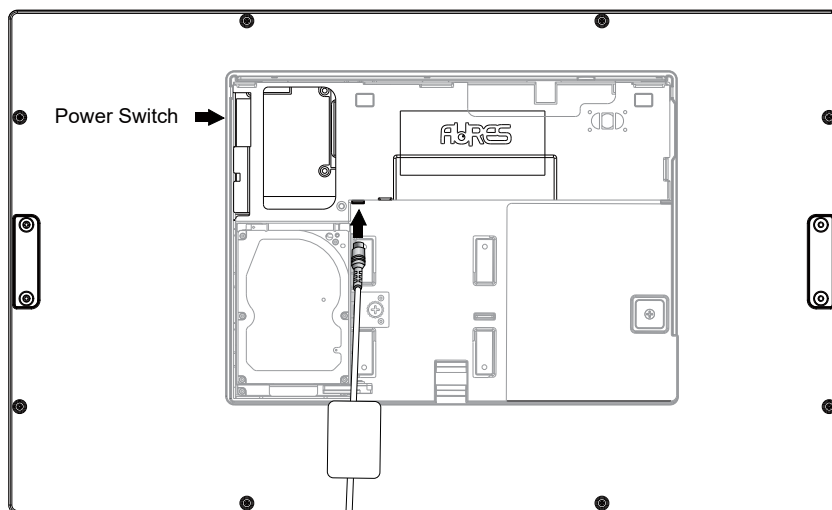


Warning!

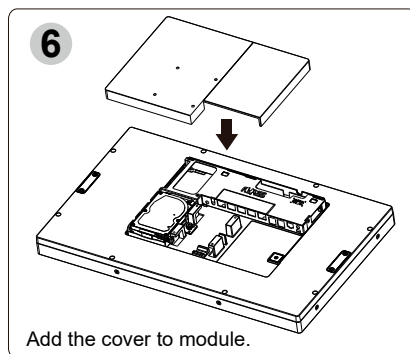
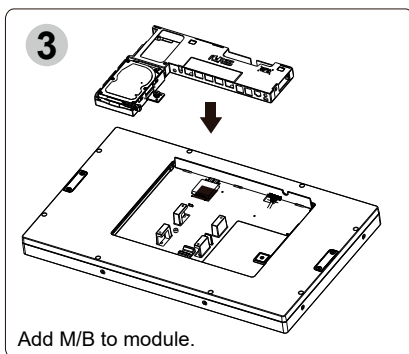
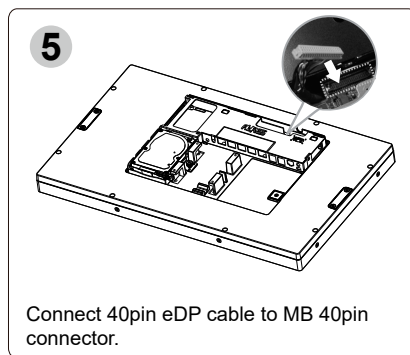
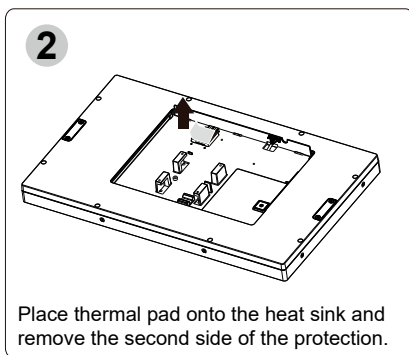
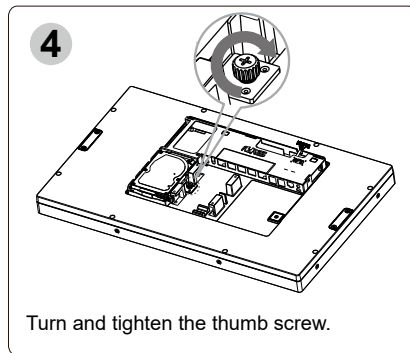
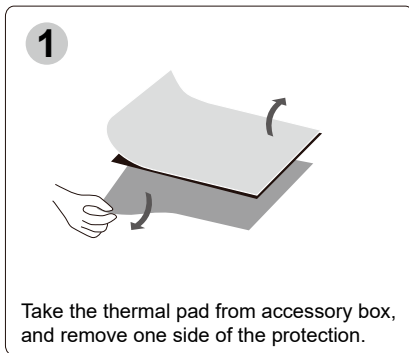
This product is to be supplied by a UL Listed ITE power supply rated output +19Vdc, 4.74A minimum with Manufacturers recommended ambient maximum 40 degree C and altitude not over 3048m.

How to start the module

1. Remove the cover of module.
2. Connect the DC adapter to the power connector on the module.
3. Press the "Power Switch" button to ON/OFF the module.
4. Add the cover to module.

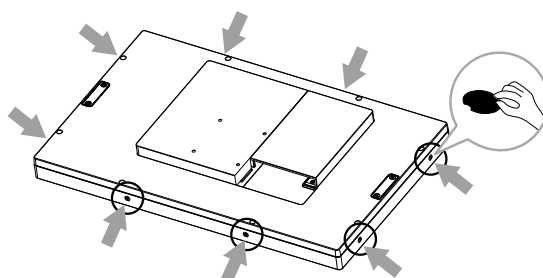


How to Install Yuno board to YUNO-K215-BLACK

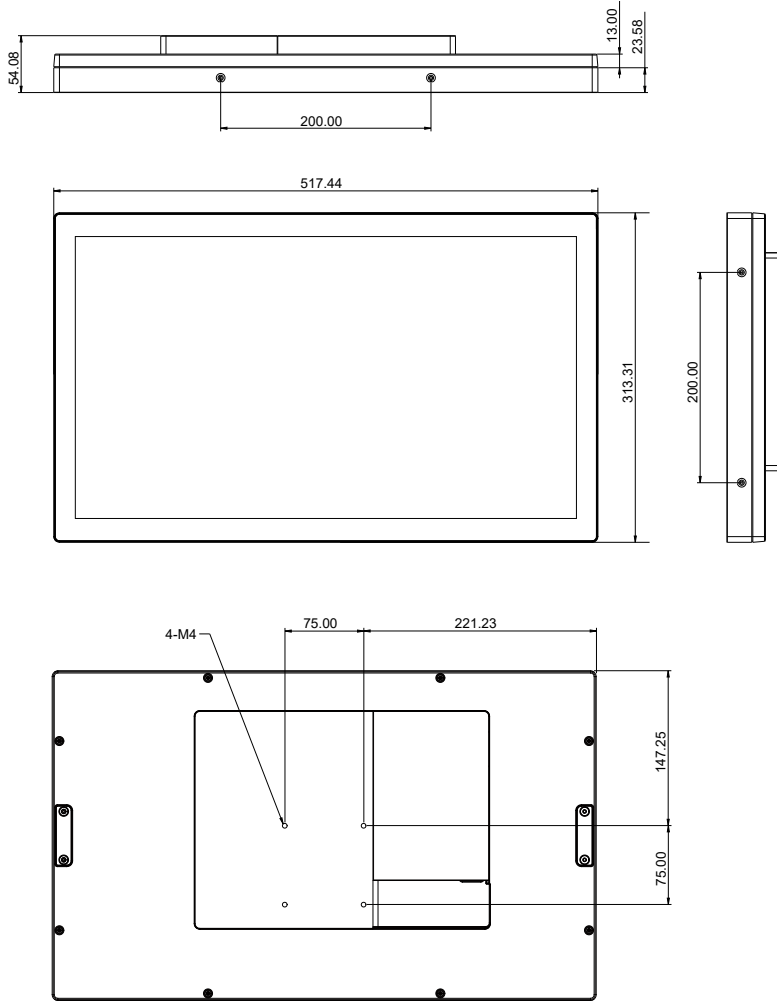


How to Install or Remove the Mylar

1. Mylar x 8 units is located in the accessory box.
2. There are 8 places where the mylar can be added (see below).
3. To install the mylar simply place it over one of the holes.
4. To remove the mylar, use a pointy object to dislodge it.



Product Dimensions



Appendix A: Driver Installation

To download the most recent drivers and utilities, and obtain advice regarding the installation of your equipment, please visit the AURES Technical Support Website www.ares-support.com.